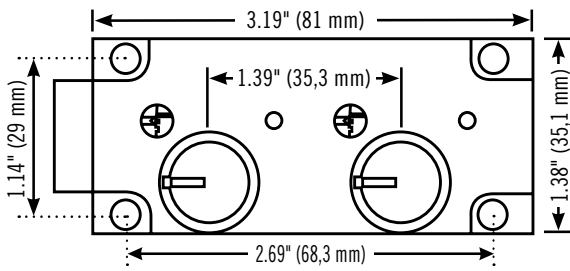


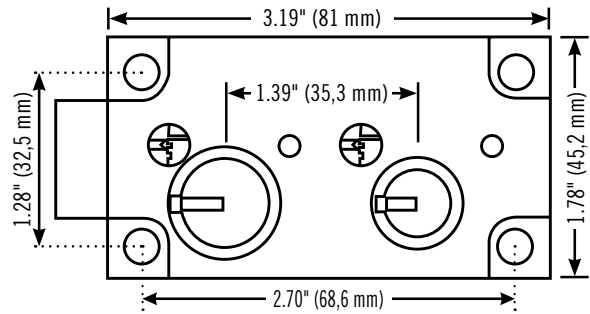
SARGENT AND GREENLEAF®

A Subsidiary of Stanley Security Solutions, Inc.

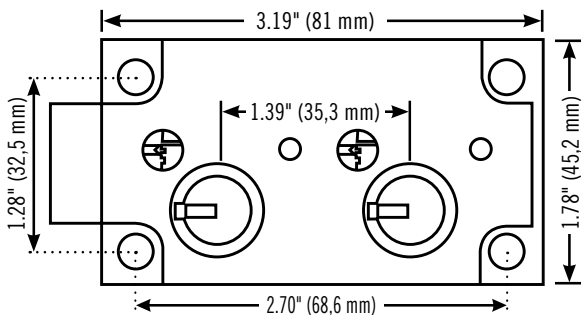
DIMENSIONS—4200 AND 4400 SERIES SAFE DEPOSIT LOCKS



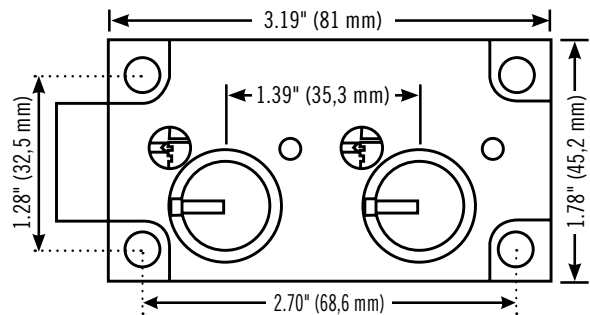
4420—designed for matchwork to all Corbin guard keys (RH model shown here)



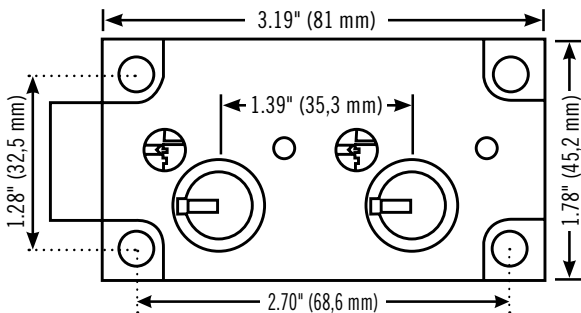
4442—designed for matchwork to the Diebold 175 series (RH model shown here)



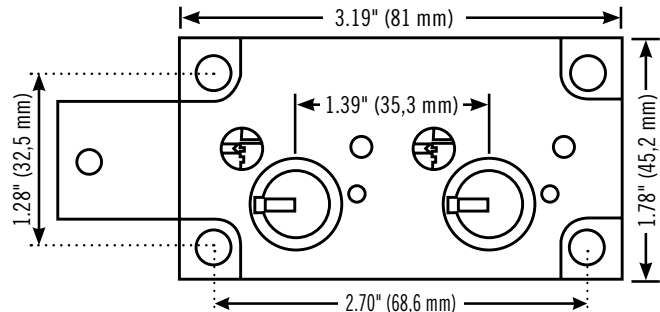
4231—designed for matchwork to the Yale SY3 guard key (RH model shown here)



4443—designed for matchwork to the Mosler 5700 series (RH model shown here)

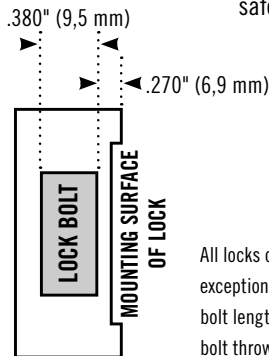


4440—a standard of the safe deposit industry since 1922 (RH model shown here)



4444—designed for B and C-rate depository safe doors (available RH only)

BOLT OFFSET DIMENSIONS FOR ALL 4200 AND 4400 SERIES SAFE DEPOSIT LOCKS



All locks on this page (with the exception of the 4444) have an extended bolt length of .40" (10.2 mm), with a bolt throw of .31" (7.9 mm).