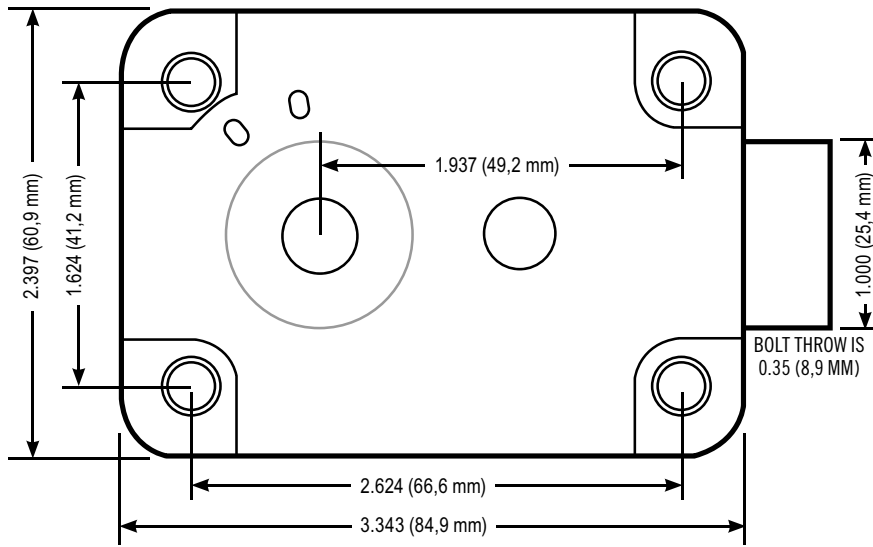
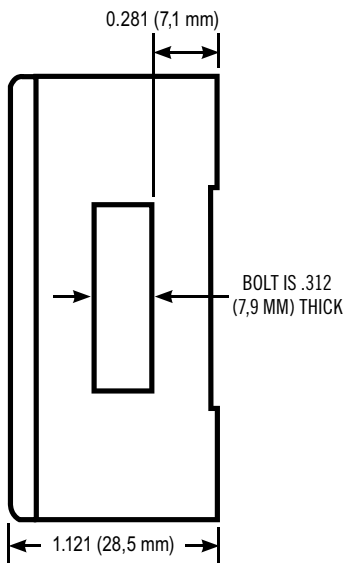


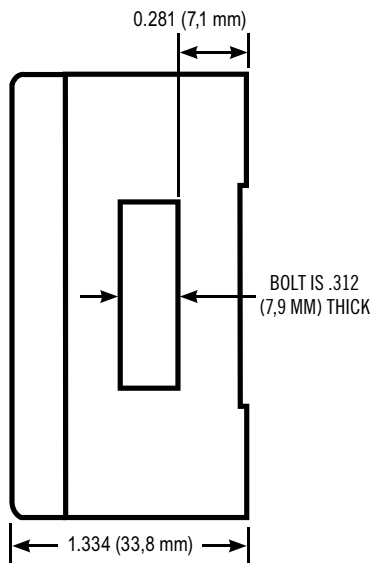
## DIMENSIONS—STANDARD SIZE MECHANICAL LOCK CASE AND LOCK BOLTS



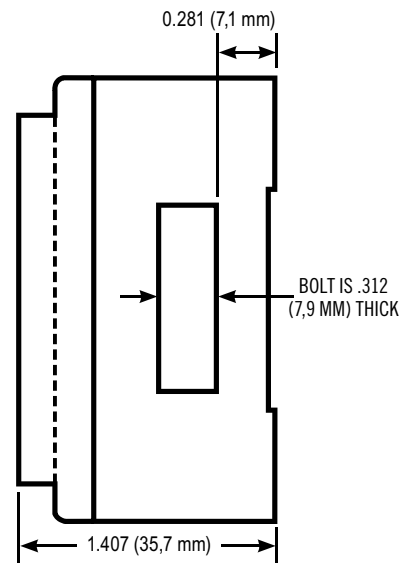
THE DIMENSIONS LISTED ABOVE ARE VALID FOR ALL 2937, 6600, 6700, 8400, AND 8500 SERIES LOCKS.



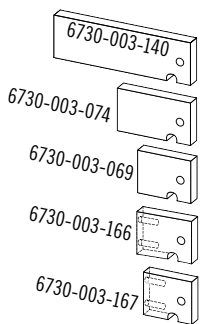
2937, 6600, AND 6700, 8500 SERIES 3-WHEEL LOCKS



6600 AND 6700 SERIES 4-WHEEL LOCKS



8400 SERIES 3-WHEEL LOCKS



**6730-003-140 Extra Long Brass Bolt**—Extends 2.461" (62,5 mm) from end of lock case when locked, 2.109" (53,6 mm) from case when unlocked.

**6730-003-074 Long Brass Bolt**—Extends 0.961" (24,4 mm) from end of lock case when locked, 0.609" (15,5 mm) from case when unlocked.

**6730-003-069 Standard Brass Bolt**—Extends 0.461" (11,7 mm) from end of lock case when locked, 0.109" (2,8 mm) from case when unlocked.

**6730-003-166 Metric Tapped Brass Bolt**—Extends 0.461" (11,7 mm) from end of lock case when locked, 0.109" (2,8 mm) from case when unlocked. Bolt is drilled and tapped to a depth of 10 mm for two 4 mm - 7 pitch machine screws.

**6730-003-167 Short Tapped Brass Bolt**—Extends 0.352" (8,9 mm) from end of lock case when locked. Retracts flush to lock case. Bolt is drilled and tapped to a depth of 3/8" (9,5 mm) for two 10-32 machine screws.